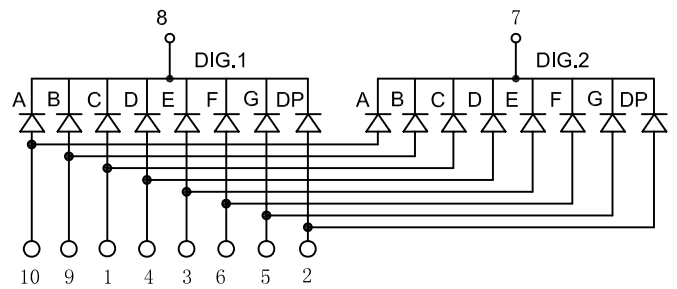
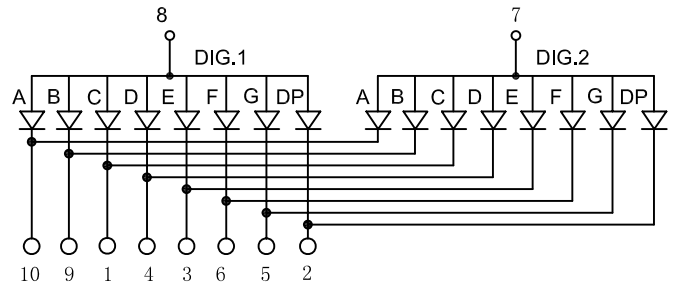
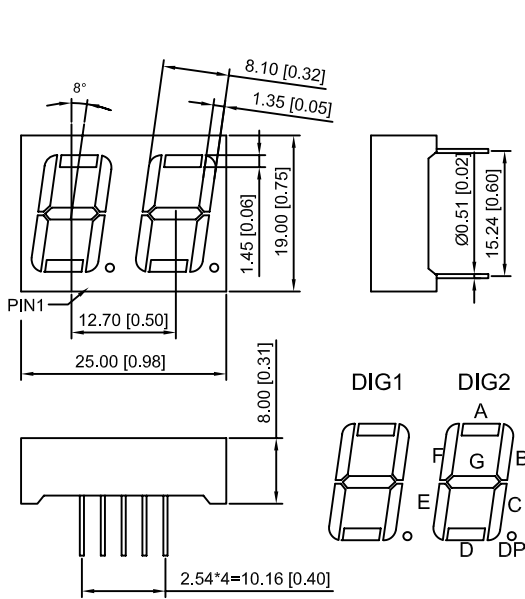


SHENZHEN BOND OPTOELECTRONICS CO., LTD.

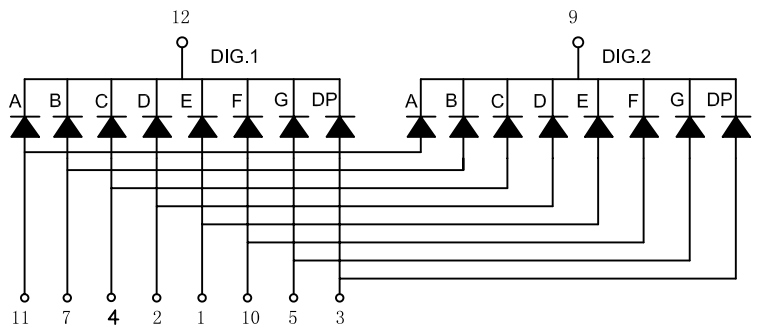
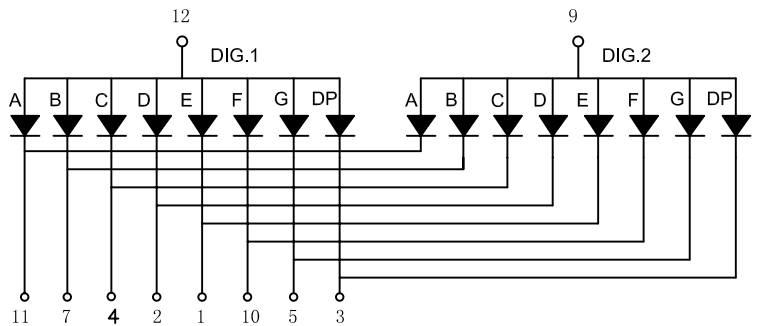
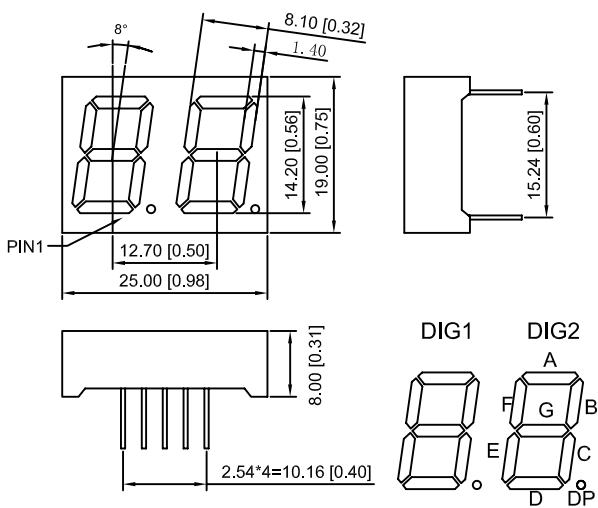
PACKAGE DIMENSION

INTERNAL CIRCUIT DIAGRAM

BDD-5261XXX



BDD-5262XXX



Tel: 0086-755-26685446

Fax: 0086-755-26822679

E-mail: kevin@bond-led.com

Website: <http://www.bond-led.com>

Address: B501, Seat 5, YongLeXinCun, Nanshan District, Shenzhen, China