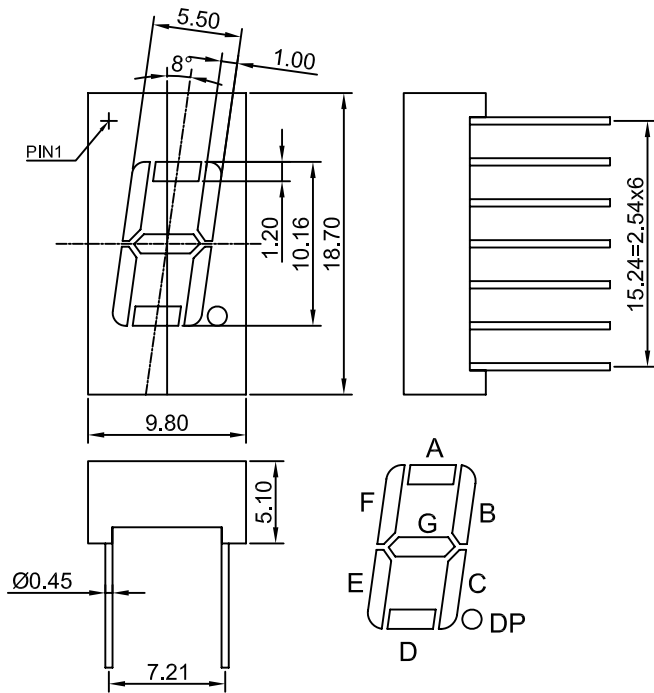


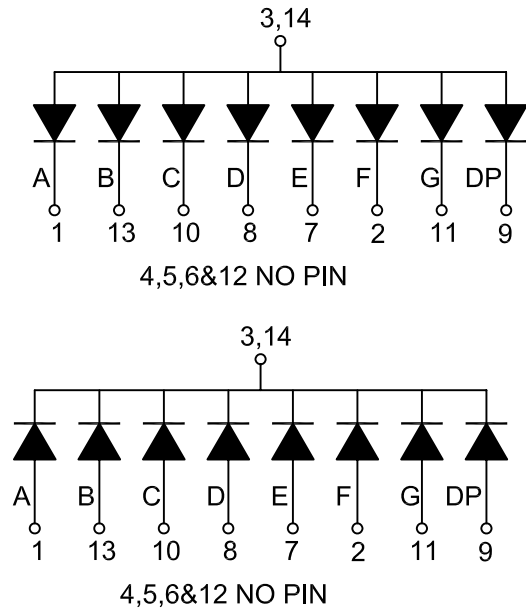
SHENZHEN BOND OPTOELECTRONICS CO., LTD.

PACKAGE DIMENSION

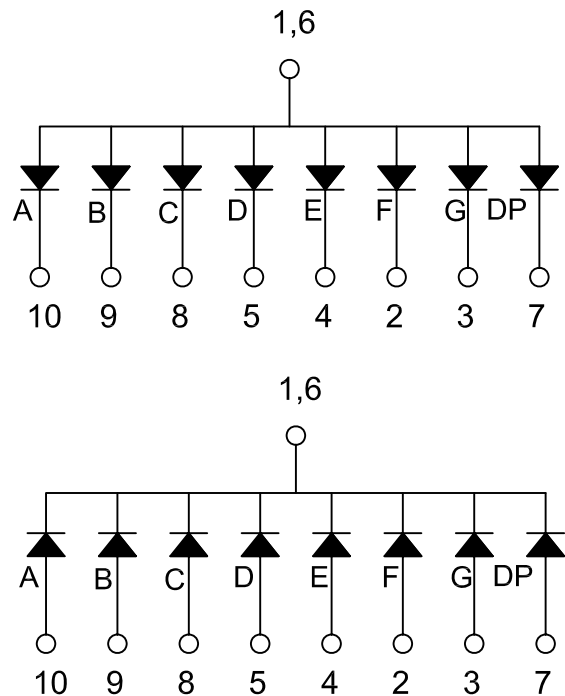
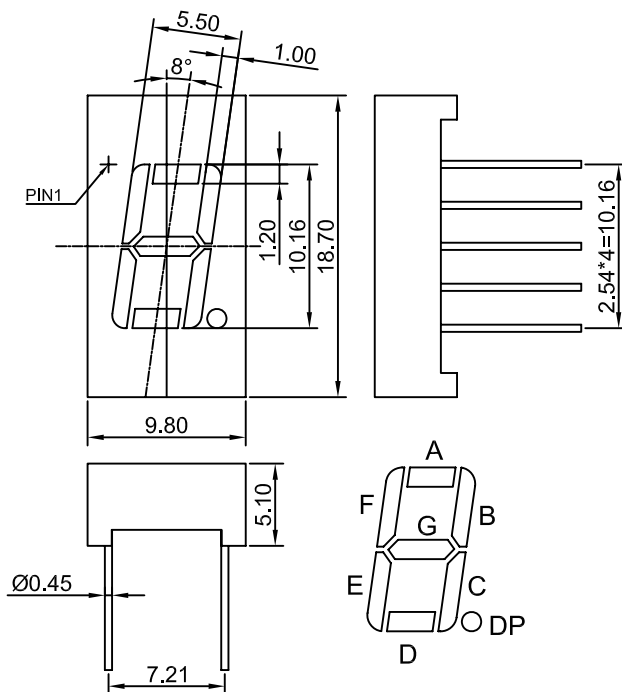
BDD-4101XXX



INTERNAL CIRCUIT DIAGRAM



BDD-4102XXX



Tel: 0086-755-26685446

Fax: 0086-755-26685446

E-mail: kevin@bond-led.com

Website: <http://www.bond-led.com>

Address: B501, Seat 5, YongLeXinCun, Nanshan District, Shenzhen, China