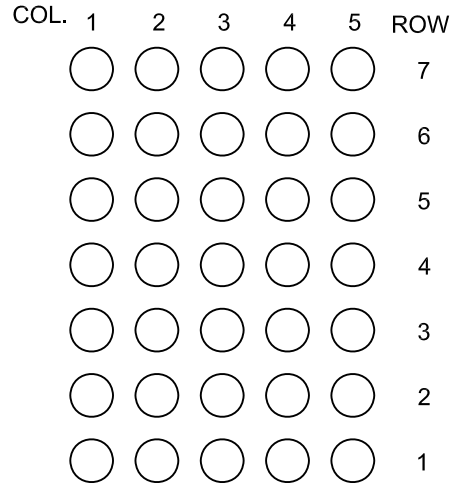
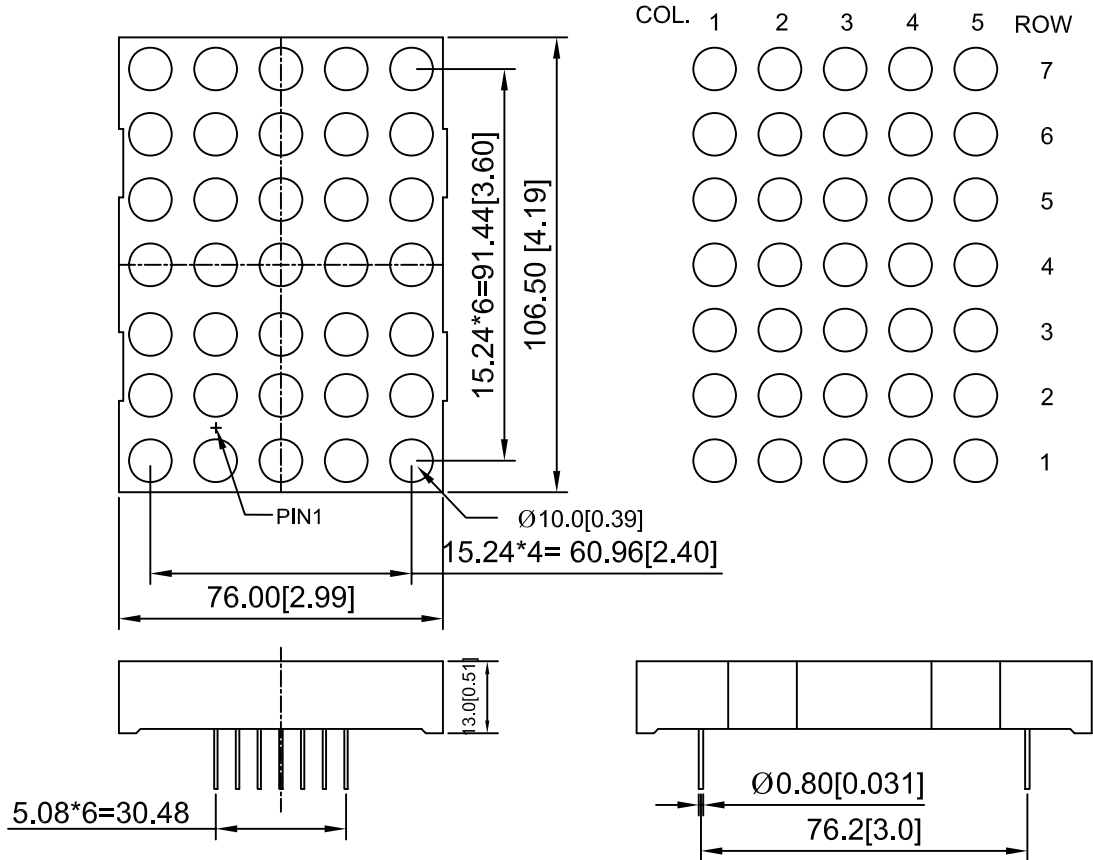


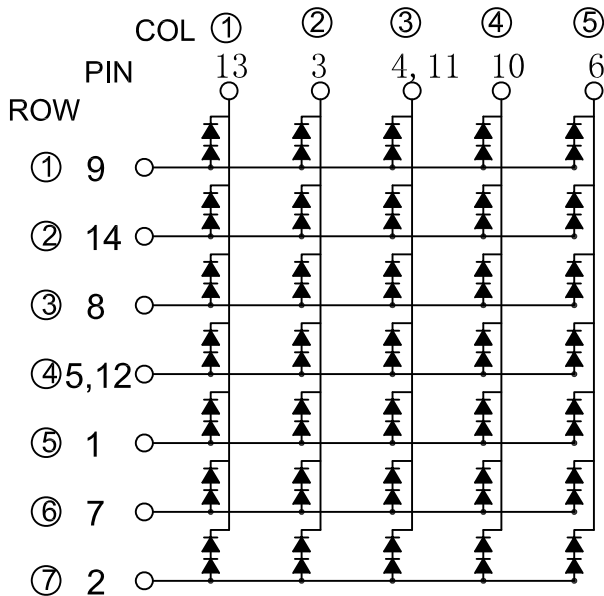
SHENZHEN BOND OPTOELECTRONICS CO., LTD.

BDM-4057XXX

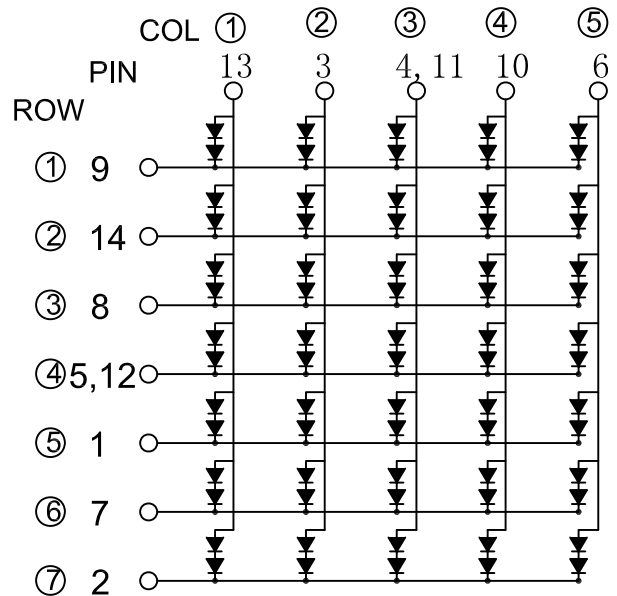
PACKAGE DIMENSION



INTERNAL CIRCUIT DIAGRAM



COMMON ANODE



COMMON CATHODE

Tel: 0086-755-26685446

Fax: 0086-755-26822679

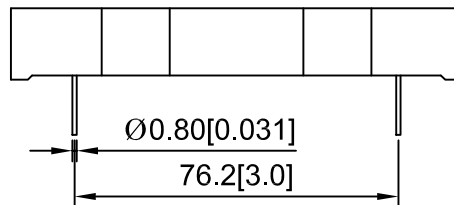
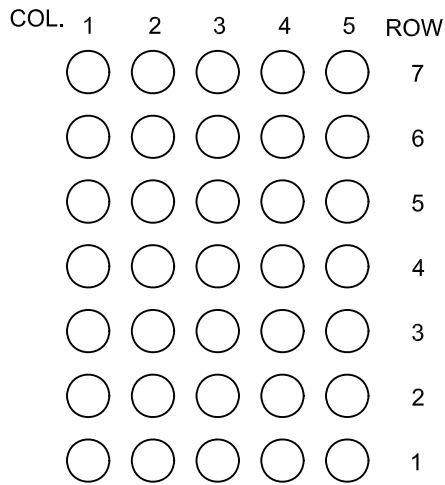
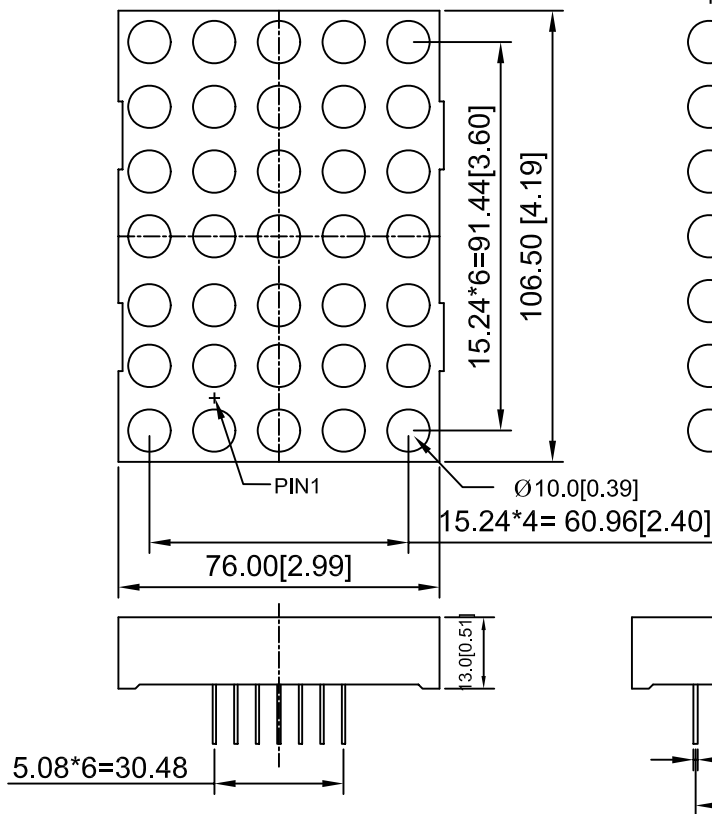
E-mail: kevin@bond-led.com

Website: <http://www.bond-led.com>

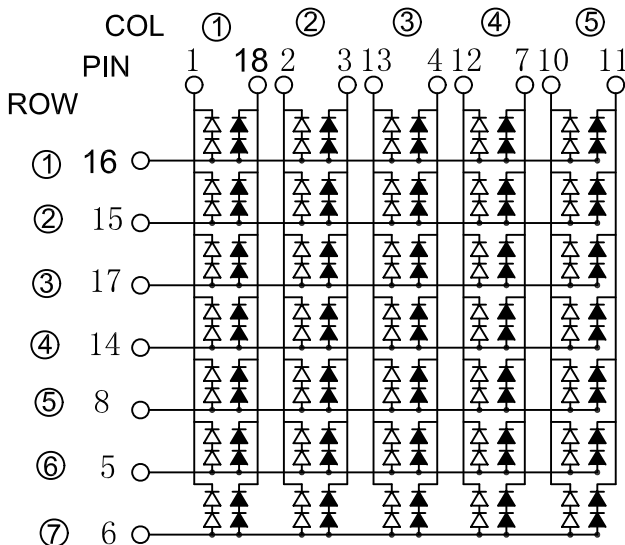
Address: B501, Seat 5, YongLeXinCun, Nanshan District, Shenzhen, China

BDM-4057XXX (double color)

PACKAGE DIMENSION

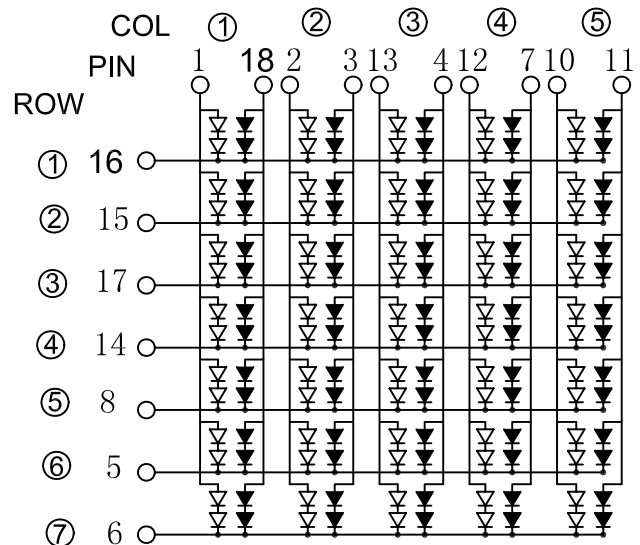


INTERNAL CIRCUIT DIAGRAM



PIN9 is no connect

∇ GREEN \blacktriangleright RED
 COMMON ANODE



PIN9 is no connect

∇ GREEN \blacktriangleright RED
 COMMON CATHODE

Tel: 0086-755-26685446

Fax: 0086-755-26822679

E-mail: kevin@bond-led.com

Website: <http://www.bond-led.com>

Address: B501, Seat 5, YongLeXinCun, Nanshan District, Shenzhen, China