
Usage of the connection of Wall Wash Lamp with the Controller

LAMP

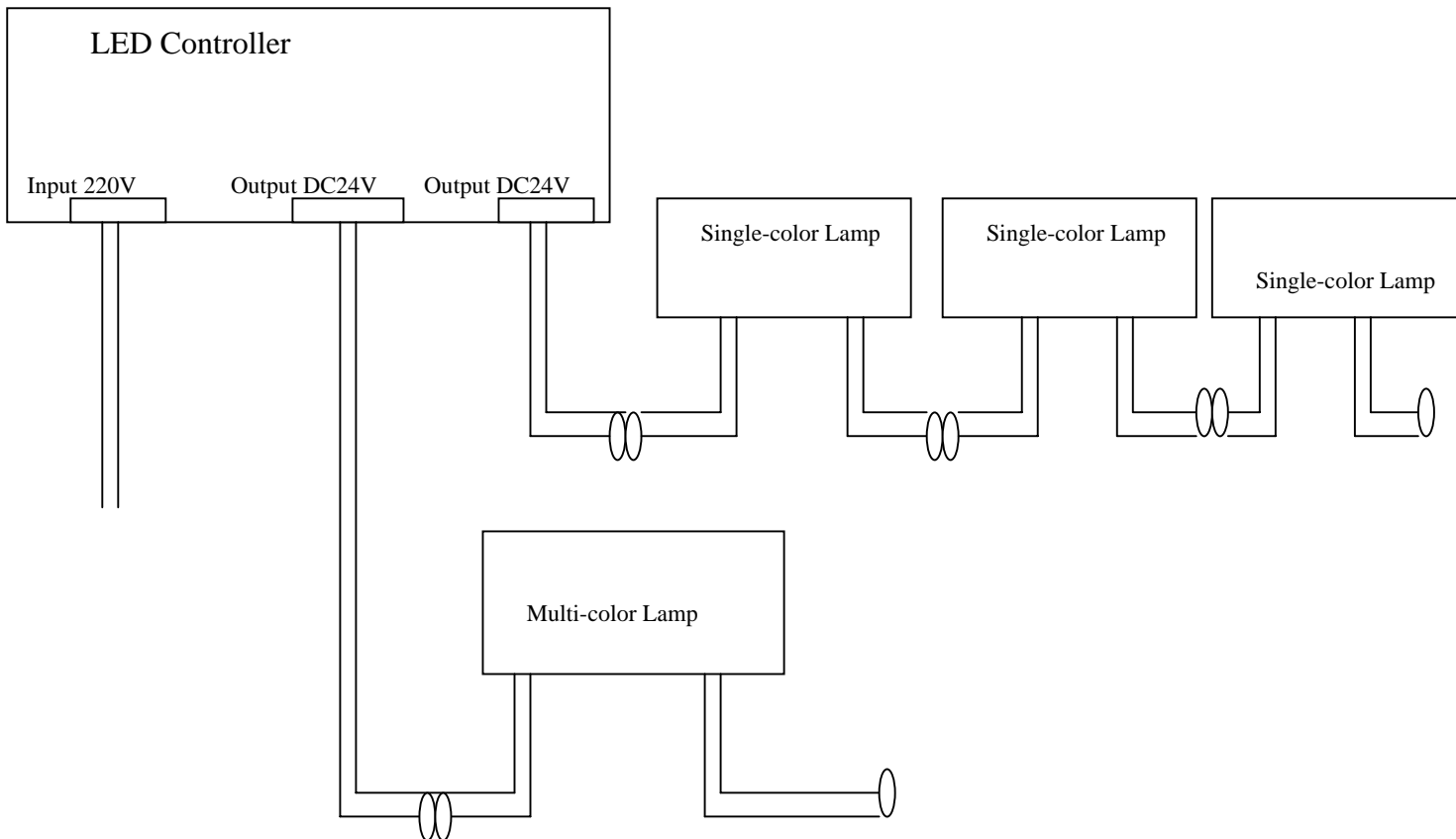
Work Voltage: DC24V

Controller:

Input Voltage: AC220V

Output Voltage: DC24V

Output Cycle: 3 Lines



Remark: The controller input line directly meets AC220V, the output altogether has two inserts, one for casts two cores mother to insert, this for directly the single-color wall wash lamp male to insert the docking, Another for casts four cores mother to insert, this strip casts the mother to insert directly t the multi-color wall wash lamp docking

One controller can control 8 meters wall wash lamp (8 pcs 1 meter wall wash lamp or 16 pcs 0.5 meter wall wash lamp, or two kind of specifications mixing with total length are 8 meters)

Change Model: jump change and gradual change (has 7 kinds of model), change model has been set so not need button to control it, just change as it is.